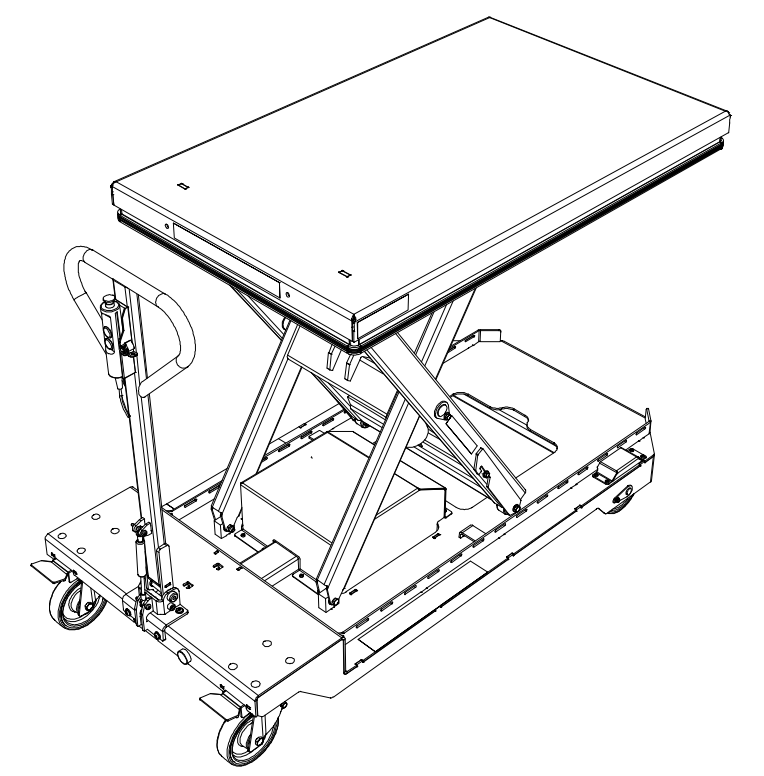
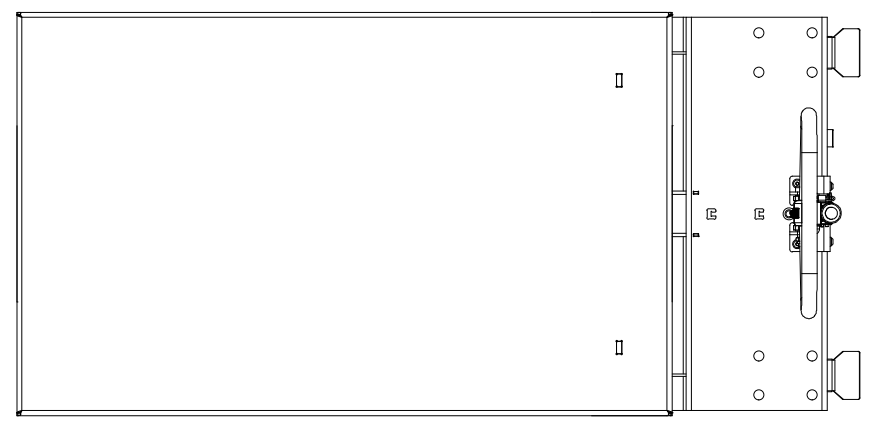
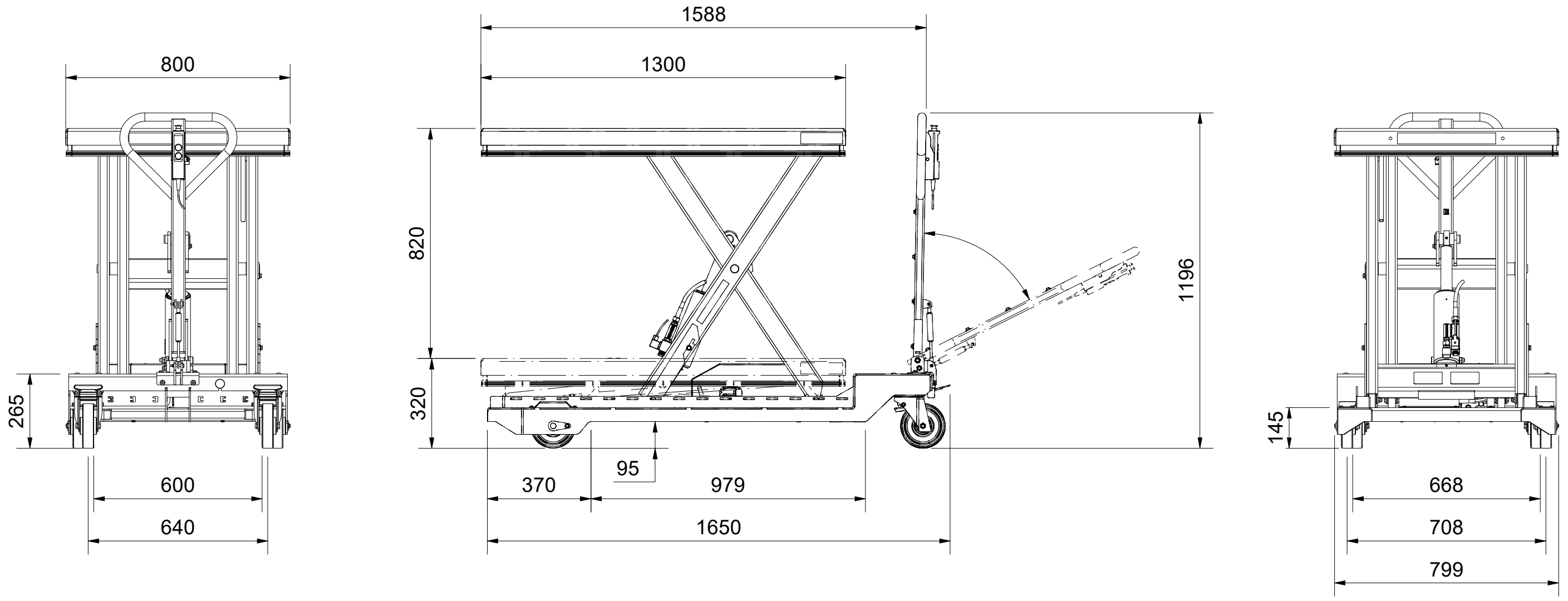


This document must not be copied without our written permission, and the contents thereof must not be imparted to a third party nor be used for any unauthorized purpose. Contravention will be prosecuted.



EZL 1000B (1300x800)
www.edmolift.com

Drawing no

615900